

Bag for creative™ TEXTURE HOOP

Finished size: 27 x 4 x 30cm



You need:

- 35 x 140 cm turquoise velvet
- 35 x 140 cm gray silk
- 35 x 140 cm fusible batting
- 1,30 m grey zig-zag ribbon
- 50 cm black zig-zag ribbon
- 1 m grey corded ribbon
- 1 m black corded ribbon
- 50 cm silver yarn
- 2 black and 2 turquoise beads
- A little turquoise wool
- Turquoise sewing thread
- Grey sewing thread
- Black viscose embroidery thread 40wt
- Tear-away stabilizer

PFAFF® Sewing Machine and Accessories

- PFAFF® *creative*™ Sewing and Embroidery Machine
- Narrow Edge Foot (820609-096)
- Quilting Guide (820279-096)

- *creative*™ TEXTURE HOOP 150 x 150 mm (820 919-096)
- Inspira 75 Embroidery Needle (620 07 16-96)
- Swarovski Beads 4 mm (500000932)
- Soldering Iron (500000931)

You can find these and many other accessories in the PFAFF® Accessory Catalogue on our website, www.pfaff.com, and they can be purchased at your local PFAFF® dealer.

Cutting

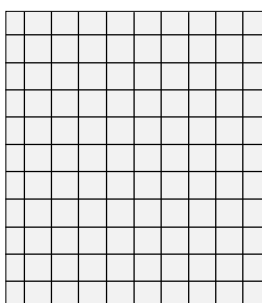
Turquoise velvet:	1 front piece 32,5 x 28,5 cm
	1 back piece 32,5 x 28,5 cm
	1 strip for binding 54 x 4.5 cm
Grey Silk:	1 front piece 32,5 x 28,5 cm for lining
	1 back piece 32,5 x 28,5 cm for lining
	2 strips 41 x 6,5 cm for handles
	2 pieces 31 x 31 cm for embroidery
Batting:	2 pieces 32,5 x 28,5 cm

1 cm seam allowance is included in the pattern measurements

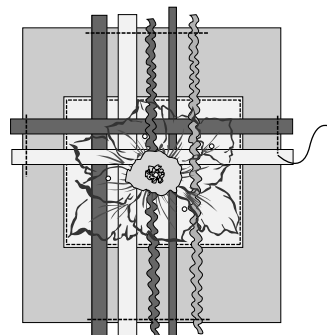
- Embroidering the bag
- Adjust the machine for embroidery.
- Read the instructions carefully for the embroidery hoop before you begin sewing the bag
- Fasten the grey silk fabric, 31 x 31 cm, into the *creative™* Texture hoop, with the tear-away stabilizer underneath. Select embroidery number 1 and embroider with yarn and ribbon, following the instructions on the CD which comes with the hoop. Let your imagination run wild!
- When the embroidery is done, cut the grey fabric so that it measures 14 x 16cm, with the motive in the middle. NB! Do not cut the yarn or the ribbon.
- Embroider another block with ribbon and seams, following the instructions on the CD.
- When the embroidery is finished, cut the block so that it measures 20 x 21 cm, with the motive in the middle.

Sewing

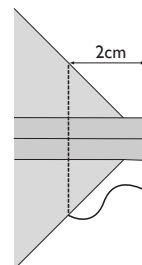
- Press the batting to the wrong side of the lining pieces 32,5 x 28,5 cm
- Select the sewing program. Thread with sewing thread top and bobbin. Change to presser foot 0A. Select straight stitch.
- Attach the guide onto the presser foot holder, 3cm to the right of the needle. Fasten the guide. Sew a square pattern on both parts of the lining as shown in the illustration.



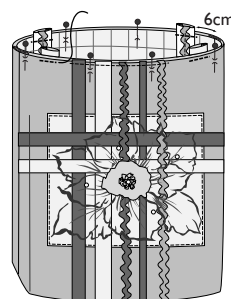
- Fold in the seam allowance (1 cm) and the ribbon on the ribbon-decorated block (20 x 21cm). Press.
- Fold in the seam allowance (1 cm) on the ribbon-decorated block (14 x 16 cm). The ribbons should be loose. Press.
- Pin one of the decorated silk pieces on the front piece (centered in the middle) and one on the back piece of the bag.
- Change to the Narrow Edge Foot. Fold under the ribbon on the front piece and sew with a straight stitch 2 mm from the edge. Fasten the ribbon on the outer edge.



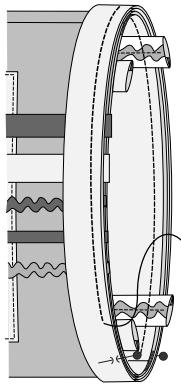
- Pin together the bag's front and back sides, right sides together. Sew together side and base seams. Sew a 4cm wide base by folding down the side seam towards the bottom seam and sewing across the corner, 2 cm from the tip, see illustration. Repeat for opposite side.



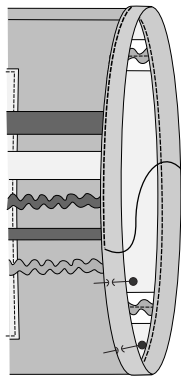
- Sew the lining pieces in the same manner.
- Fold the handle strips lengthwise, right sides together. Sew long sides together with a straight stitch. Trim the seam allowance. Turn right side out and press. Sew a zig-zag ribbon in the centre of the handles.
- Place the lining in the bag, wrong sides together. Pin together. Pin the handles to the inside of the bag, wrong sides together, 6cm from the side seams. Change to presser foot 0A. Sew in place with a straight stitch.



- Fold the binding strip lengthwise, wrong sides together. Press. Pin the binding on the upper edge of the bag, right sides together. Sew together the short sides, trim the seam allowance. Sew the binding in place.



- Fold the binding to the inside of the bag and pin in place. Change to the Narrow Edge Foot and sew in place the binding from the right side.



- Fold up the handles and sew in place with a stitch on the top edge of the bag.